

Industrial Gas Ignitor

Single Pole, One End Grounded Models

Allanson's two new Electronic Ignitors deliver the same dependable power you have come to rely on whether your application calls for 120 volts or 230 volts. The 2260 and 2265 are versatile, light-weight and compact to meet your needs. With four different types to choose from, it will make installation quick and effortless to any application. These energy efficient ignitors draw only ½ an amp, and have full wave output and are designed for constant duty.

120 Volts

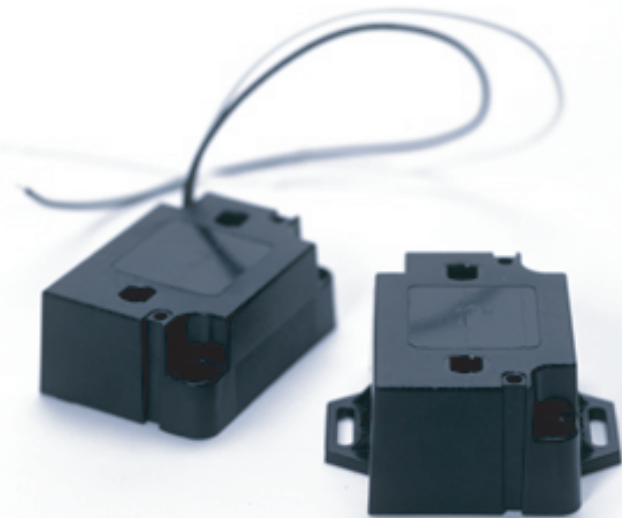
Catalog Number	Description	Pri. A	Sec KVpk	mA	V A	Length	Depth	Height	Wt
2260-TP	Mtg tabs/ primary plug set with pig tails	0.5	15.6	28	72	3.6	2.5	1.5	3/4 lb
2260-TW	Mtg tabs/ traditional bottom exit pig tails					3.6	2.6	1.8	
2260-P	Primary wire plug with pig tails set only					3.6	2.5	1.5	
2260-TWG	Mtg tabs/ traditional bottom exit pig tails, 18" H.V. Lead					3.6	2.6	1.8	

230 Volts

Catalog Number	Description	Pri. A	Sec KVpk	mA	V A	Length	Depth	Height	Wt
2265-TP	Mtg tabs/ primary plug set with pig tails	0.5	15.6	30	72	3.6	2.5	1.5	3/4 lb
2265-TW	Mtg tabs/ traditional bottom exit pig tails					3.6	2.6	1.8	
2265-P	Primary wire plug with pig tails set only					3.6	2.5	1.5	
2265-TWG	Mtg tabs/ traditional bottom exit pig tails, 18" H.V. Lead					3.6	2.6	1.8	

Allanson Electronic Ignitors are CSA approved and UL recognized.
 Ask about our optional secondary connector kit.

Input Supply Frequency (Hz)	50/60
Secondary Frequency (kHz)	>20
Storage Temperature (degrees C)	-40 to +80
Operating Temperature (degrees C)	-30 to +40
Operating Relative Humidity (%)	90
Loading Air Gap (inches)	1/16 - 1/8



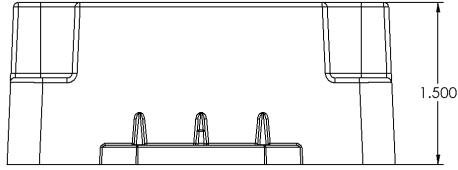
www.allanson.com

USA | 99 Adams Blvd. | Farmingdale, New York | 11735
 Phone: 631-293-3880 | Fax 1-631-293-3470

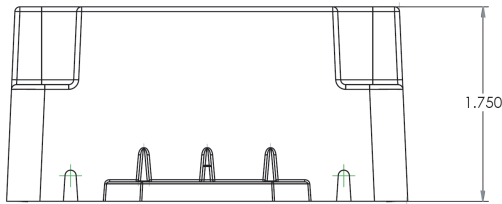
CANADA | 33 Cranfield Road | Toronto, Ontario | M4B 3H2
 Phone: 416-755-1191 | Toll-Free 1-877-264-8444 | Fax 1-877-278-0907

IGNITOR DIMENSIONS

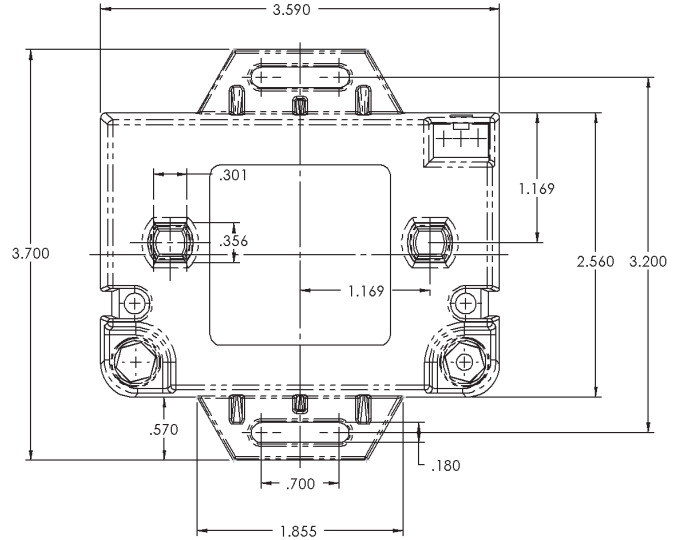
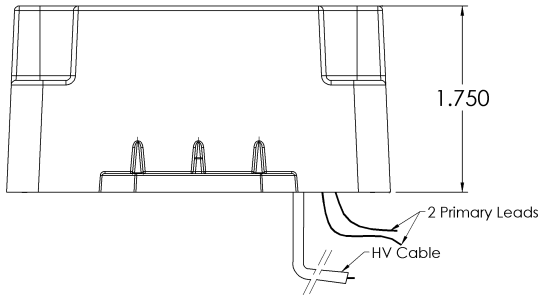
2260-TP
2265-TP



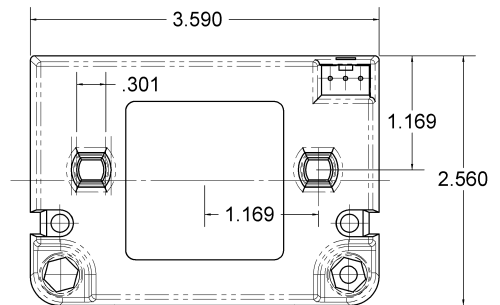
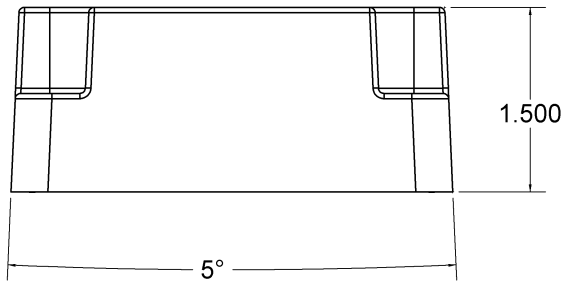
2260-TW
2265-TW



2260-TWG
2265-TWG



2260-P
2265-P



Order yours today! 1.877.278.0907

33 Cranfield Road, Toronto, ON M4B 3H2, Canada Phone: (877) 264-8444, Fax: (877) 278-0907
99 Adams Blvd, Farmingdale, NY 11735, USA Phone: (631) 293-3880, Fax: (631) 293-3470