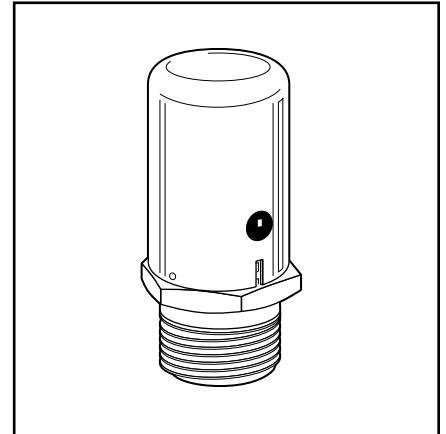




Hoffman Specialty

Installation & Maintenance
Instructions
HS-902(C)

Model 62 Vacuum Breaker



CAUTION



- Before using this product read and understand instructions.
- Save these instructions for future reference.
- Turn off steam or water before servicing.
- To prevent serious burns, wear heat resistant gloves when handling hot equipment.

Failure to follow this caution could result in property damage or personal injury.

OPERATION

As system pressure falls sufficiently below atmospheric pressure to compress the spring, the vacuum breaker will open, allowing air to enter the system. The vacuum breaker is factory set to open at approximately 2 inches Hg vacuum. It is adjustable from 1/4" to 20" (8 - 508 mm) Hg vacuum.

Engineered for life

INSTALLATION –

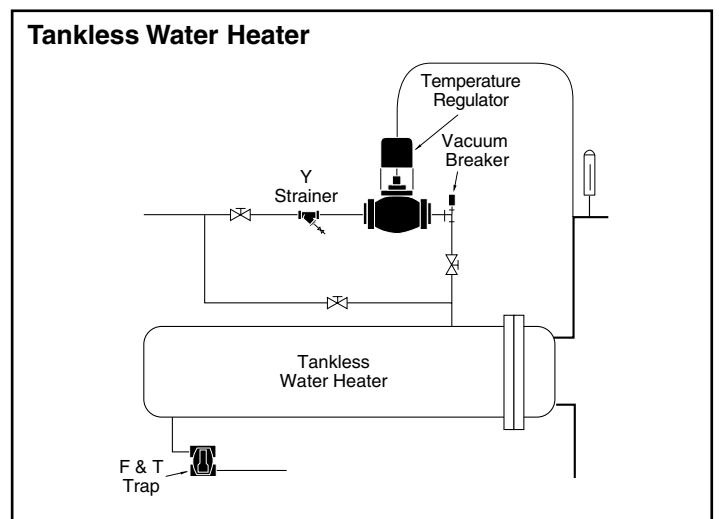
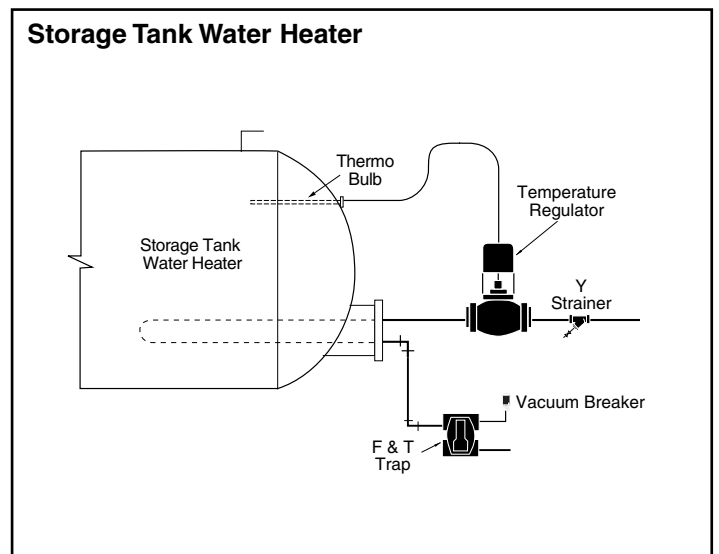
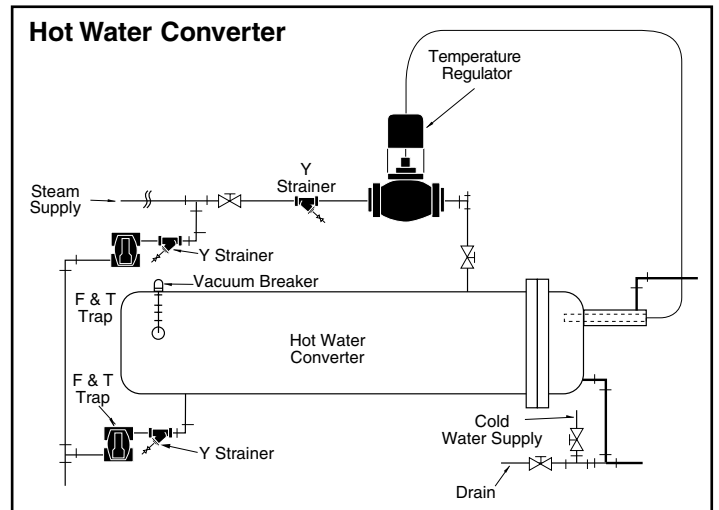
STEP 1 - Determine Where to Install the Vacuum Breaker

The Model 62 vacuum breaker can be installed vertically or horizontally. However, installing the vacuum breaker horizontally results in fouling of the seating surface, which prevents tight sealing. The life of the o-ring may be increased by installing the vacuum breaker in a standpipe where temperatures are lower.

Adjusting the Set Point

To increase the vacuum breaker set point, increase the spring tension. To decrease the vacuum breaker set point, decrease the spring tension.

TYPICAL PIPING DIAGRAMS





INSTALLATION COMPLETE

MAINTENANCE

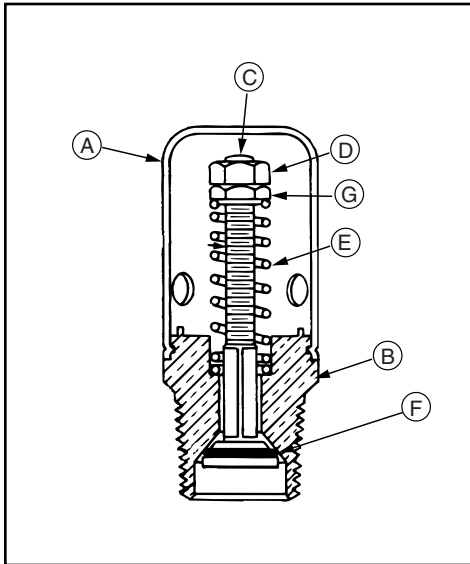
SCHEDULE:

- Initially and every 6 months thereafter.
- Replace vacuum breaker every 15 years.
More frequent replacement of the vacuum breaker is required when used on water systems in locales where significant water treatment is required, or where more frequent cleaning is necessary.

PROCEDURE:

 CAUTION	
	<ul style="list-style-type: none">• Turn off steam or water before servicing vacuum breaker.• To prevent serious burns, wear heat resistant gloves when handling hot equipment. <p>Failure to follow this caution could cause personal injury.</p>

1. Inspect for leaks. Stop all leaks by tightening or replacing O-Ring, as necessary.



O-Ring Replacement (Part Number 601313)

1. Make sure the steam, air or water supply is turned off and pressure is relieved. On steam systems, allow unit sufficient time to cool.
2. Remove complete vacuum breaker from system.
3. Pull cover (A) from base (B), this is a snap in place cover that can be removed by hand.
4. Measure and note distance from end of stem (C) to top locknut (D). Remove locknuts (D) and (G), spring (E), and stem (C) from base (B).
5. Remove O-Ring (F) from stem (C) and discard. Clean all parts, apply silicone lubricant to new O-Ring and push into the shoulder of the stem, Make sure the O-Ring is flat with the end of the stem.
6. Reassemble all parts. Tighten locknuts (D) and (G) to the same distance as measured in step 4 (above). Push on the stem several times to make sure it is free to move in its guide and snap cover in place on base.
7. Reinstall on system and check for leaks.

Hoffman Specialty
8200 N. Austin Ave.
Morton Grove, IL 60053
tel: 847-966-3700
fax: 847-966-9052
www.hoffmanspecialty.com

©2006 ITT Corporation
Printed in U.S.A. 9-06 510320